

EMC shield clamps for 35 mm top hat DIN rail, pluggable

with or without integrated strain relief



EMC shield clamps are used, where the shield of cables must be connected to the earth potential. They are easy to use and effective in earthing single cable shields.

When using types with integrated strain relief cables can be fixed via the cable jacket using cable ties. Thus strain relief in accordance with EN 62444 is achieved. We also offer EMC shield clamps with double strain relief function acc. to PROFINET installation guidelines.

Due to its special design the clamping ranges of the MSKL are very large while the dimensions are comparatively small. (Example: MSKL 3-12, assembled with a 12 mm cable shield: width 26.25 mm).

The staggered arrangement of the extremely slim shield clamp SFS|SKL maximises space utilisation. Suitable for applications that require EMC shielding close to connection points or controller inputs.

The shield clamps can be easily attached by snapping them onto 35 mm top hat DIN rails.

Specifications

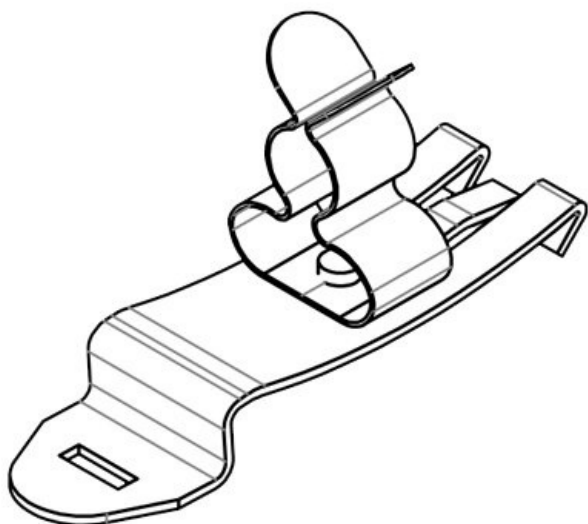
Material	Shield clamp: Spring steel, zinc plated Shield bracket: Mild steel, galvanically zinc plated Snap foot: Spring steel
Properties	vibration proof
Mounting options	Snap-in

Advantages & benefits

- Partially with integrated strain relief
- Large contact area
- Shield contact and strain relief separated
- Quick assembly without tools
- The spring design requires no adjustments and will permanently maintain contact to the cable shield
- Designed for high density applications
- Shock and vibration resistant, maintenance free
- Integrated double strain relief function acc. to PROFINET installation guidelines

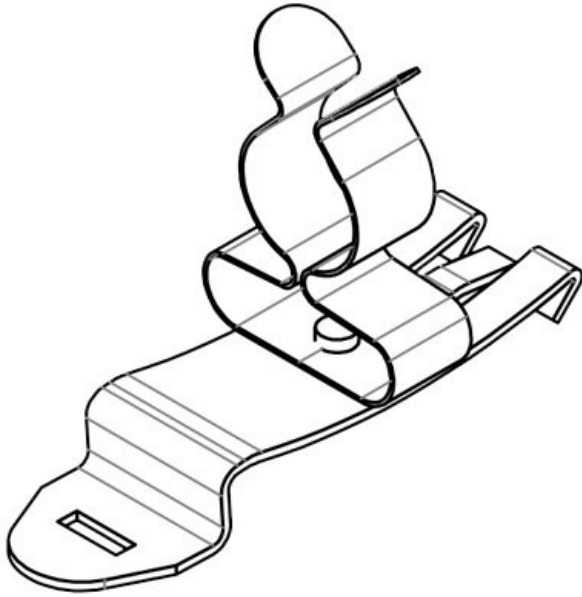
Product types & sizes

SF|MSKL 3-12



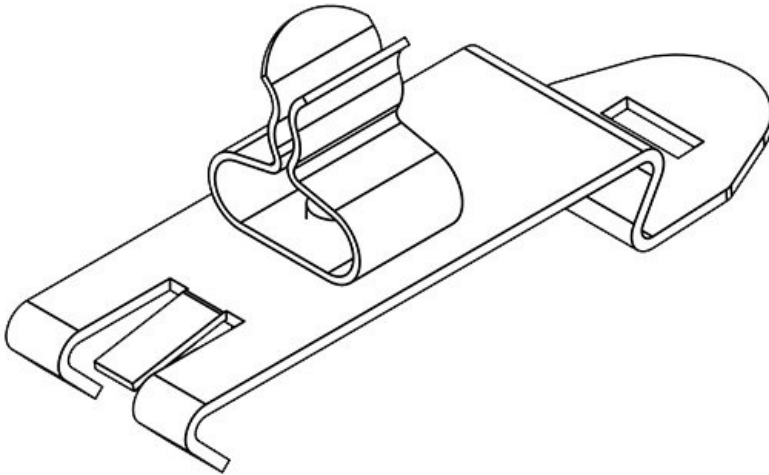
Part No.	37616	Min. shield diam.	3 mm
EAN	4251269316	Max. shield diam.	12 mm
Package quantity	10	Length	50,3 mm
No. of shield clamps	1	Strain relief function	No
Shield clamp type	MSKL	Width	15 mm
For max. no. of cables	1	Height	26 mm
Shield diameter	3 - 12 mm		

SF|MSKL 8-18



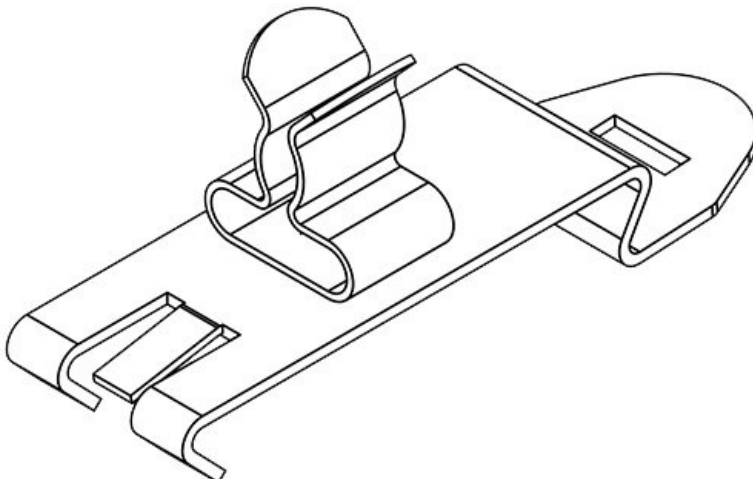
Part No.	37618	Min. shield diam.	8 mm
EAN	4251269316	Max. shield diam.	18 mm
Package quantity	10	Length	50,3 mm
No. of shield clamps	1	Strain relief function	No
Shield clamp type	MSKL	Width	20 mm
For max. no. of cables	1	Height	32,2 mm
Shield diameter	8 - 18 mm		

SF|SKL 1.5-3



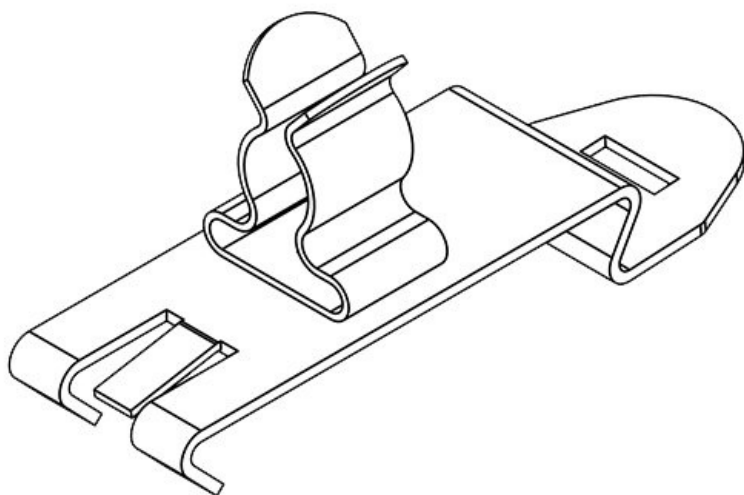
Part No.	36243	Min. shield diam.	1,5 mm
EAN	4251269302	Max. shield diam.	3 mm
Package quantity	10	Length	50,4 mm
No. of shield clamps	1	Strain relief function	No
Shield clamp type	SKL	Width	14 mm
For max. no. of cables	1	Height	20 mm
Shield diameter	1,5 - 3 mm		

SF|SKL 3-6



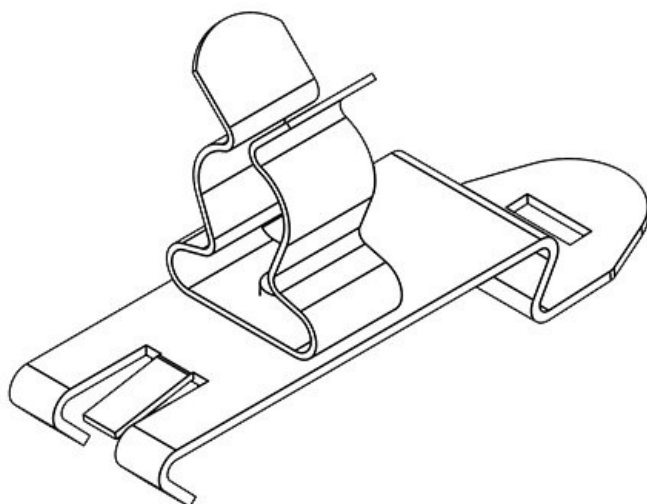
Part No.	36244	Min. shield diam.	3 mm
EAN	4251269302	Max. shield diam.	6 mm
Package quantity	10	Length	50,4 mm
No. of shield clamps	1	Strain relief function	No
Shield clamp type	SKL	Width	14 mm
For max. no. of cables	1	Height	20,5 mm
Shield diameter	3 - 6 mm		

SF|SKL 6-8



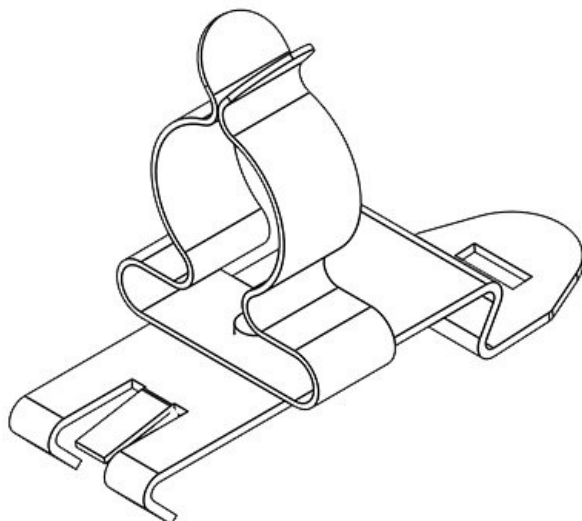
Part No.	36245	Min. shield diam.	6 mm
EAN	4251269302	Max. shield diam.	8 mm
Package quantity	10	Length	50,4 mm
No. of shield clamps	1	Strain relief function	No
Shield clamp type	SKL	Width	14 mm
For max. no. of cables	1	Height	21,9 mm
Shield diameter	6 - 8 mm		

SF|SKL 8-11



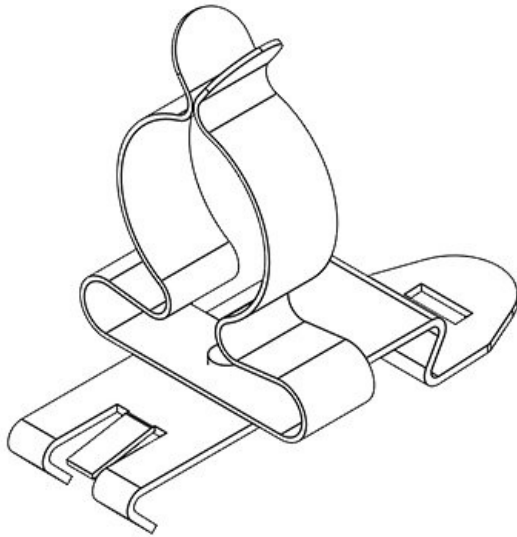
Part No.	36246	Min. shield diam.	8 mm
EAN	4251269302	Max. shield diam.	11 mm
Package quantity	10	Length	50,4 mm
No. of shield clamps	1	Strain relief function	No
Shield clamp type	SKL	Width	14 mm
For max. no. of cables	1	Height	26,9 mm
Shield diameter	8 - 11 mm		

SF|SKL 11-17



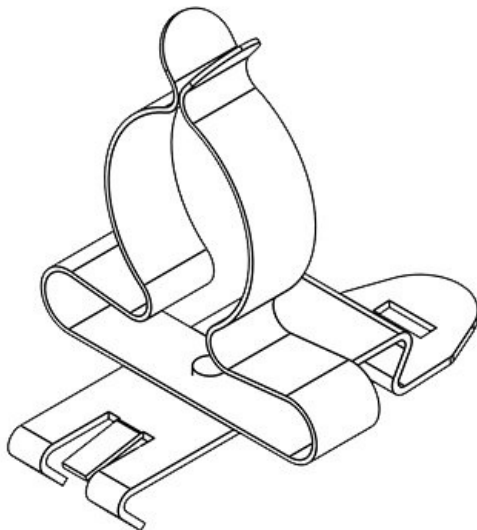
Part No.	36247	Min. shield diam.	11 mm
EAN	4251269302	Max. shield diam.	17 mm
Package quantity	10	Length	50,4 mm
No. of shield clamps	1	Strain relief function	No
Shield clamp type	SKL	Width	21 mm
For max. no. of cables	1	Height	33,9 mm
Shield diameter	11 - 17 mm		

SF|SKL 17-22



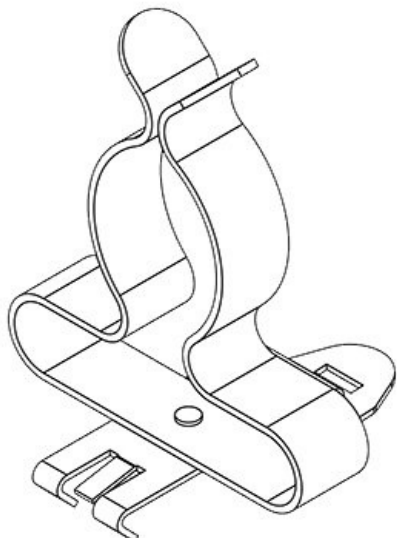
Part No.	36248	Min. shield diam.	17 mm
EAN	4251269302	Max. shield diam.	22 mm
Package quantity	10	Length	50,4 mm
No. of shield clamps	1	Strain relief function	No
Shield clamp type	SKL	Width	26,5 mm
For max. no. of cables	1	Height	41,4 mm
Shield diameter	17 - 22 mm		

SF|SKL 22-30



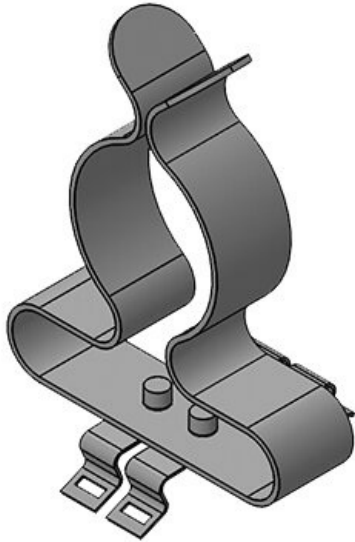
Part No.	36249	Min. shield diam.	22 mm
EAN	4251269302	Max. shield diam.	30 mm
Package quantity	10	Length	50,4 mm
No. of shield clamps	1	Strain relief function	No
Shield clamp type	SKL	Width	34,5 mm
For max. no. of cables	1	Height	45,8 mm
Shield diameter	22 - 30 mm		

SF|SKL 30-38



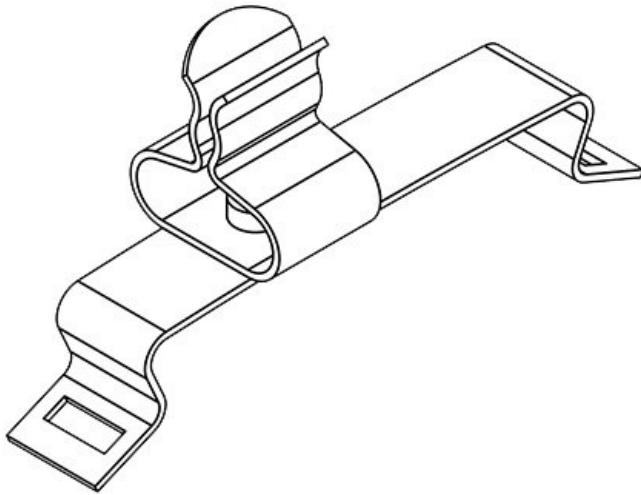
Part No.	36250	Min. shield diam.	30 mm
EAN	4251269302	Max. shield diam.	38 mm
Package quantity	10	Length	50,4 mm
No. of shield clamps	1	Strain relief function	No
Shield clamp type	SKL	Width	46,5 mm
For max. no. of cables	1	Height	68 mm
Shield diameter	30 - 38 mm		

SF|SKL 38-48



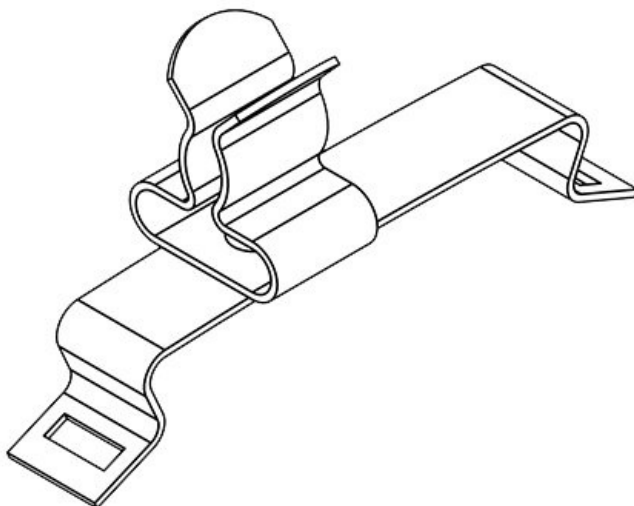
Part No.	36252	Min. shield diam.	38 mm
EAN	4251269302	Max. shield diam.	48 mm
Package quantity	10	Length	44 mm
No. of shield clamps	1	Strain relief function	No
Shield clamp type	SKL	Width	48,5 mm
For max. no. of cables	1	Height	77,5 mm
Shield diameter	38 - 48 mm		

SFS|SKL 1.5-3



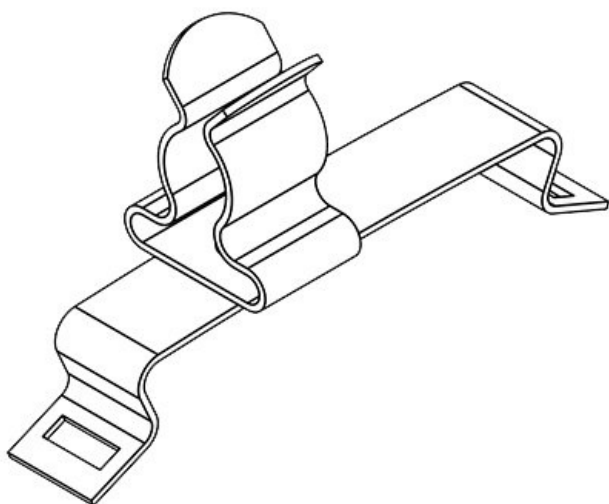
Part No.	36810	Min. shield diam.	1,5 mm
EAN	4251269304	Max. shield diam.	3 mm
Package quantity	10	Length	43,4 mm
No. of shield clamps	1	Strain relief function	No
Shield clamp type	SKL	Width	11,8 mm
For max. no. of cables	1	Height	21,5 mm
Shield diameter	1,5 - 3 mm		

SFS|SKL 3-6



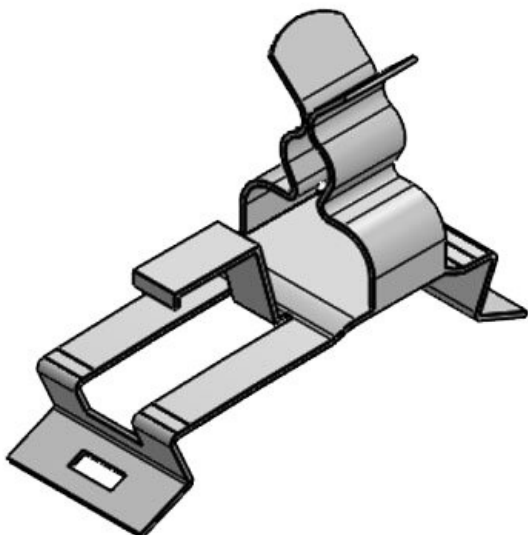
Part No.	36815	Min. shield diam.	3 mm
EAN	4251269304	Max. shield diam.	6 mm
Package quantity	10	Length	43,4 mm
No. of shield clamps	1	Strain relief function	No
Shield clamp type	SKL	Width	11,8 mm
For max. no. of cables	1	Height	22,2 mm
Shield diameter	3 - 6 mm		

SFS|SKL 6-8



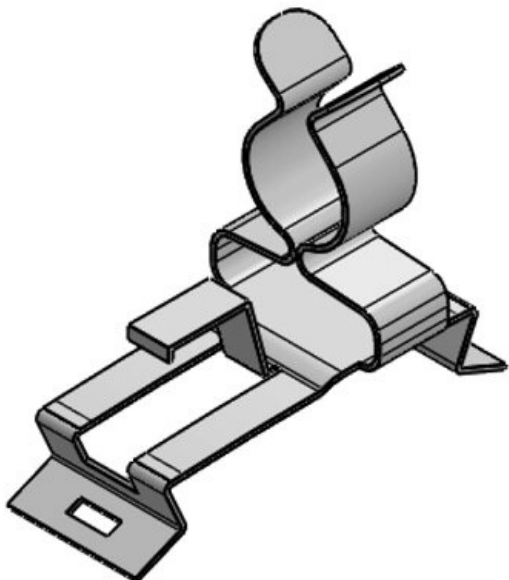
Part No.	36820	Min. shield diam.	6 mm
EAN	4251269304	Max. shield diam.	8 mm
Package quantity	10	Length	43,4 mm
No. of shield clamps	1	Strain relief function	No
Shield clamp type	SKL	Width	11,8 mm
For max. no. of cables	1	Height	23,6 mm
Shield diameter	6 - 8 mm		

SFZ-M|MSKL 3-12



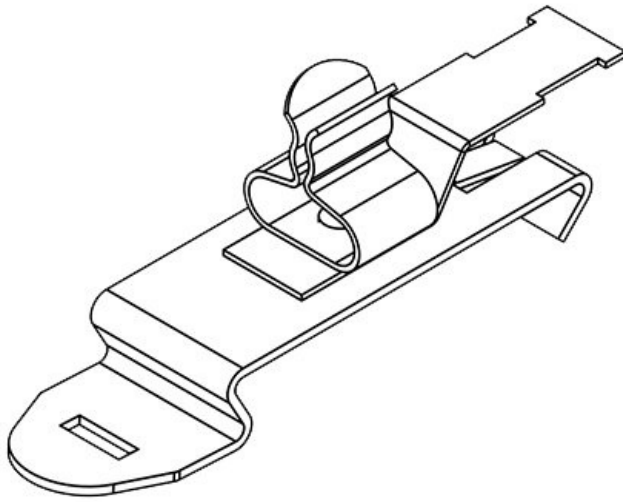
Part No.	37620	Min. shield diam.	3 mm
EAN	4251269316	Max. shield diam.	12 mm
Package quantity	10	Length	43,4 mm
No. of shield clamps	1	Strain relief function	Yes
Shield clamp type	MSKL	Width	15 mm
For max. no. of cables	1	Height	29,3 mm
Shield diameter	3 - 12 mm	Mounting height	20 mm

SFZ-M|MSKL 8-18



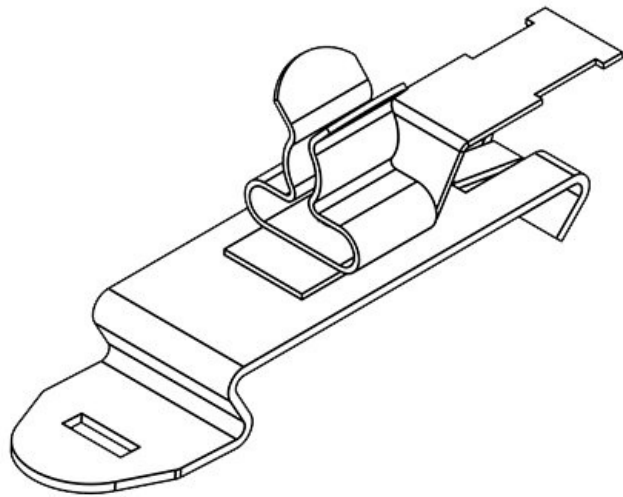
Part No.	37622	Min. shield diam.	8 mm
EAN	4251269316	Max. shield diam.	18 mm
Package quantity	10	Length	61,4 mm
No. of shield clamps	1	Strain relief function	Yes
Shield clamp type	MSKL	Width	20 mm
For max. no. of cables	1	Height	32,7 mm
Shield diameter	8 - 18 mm		

SFZ|SKL 1.5-3



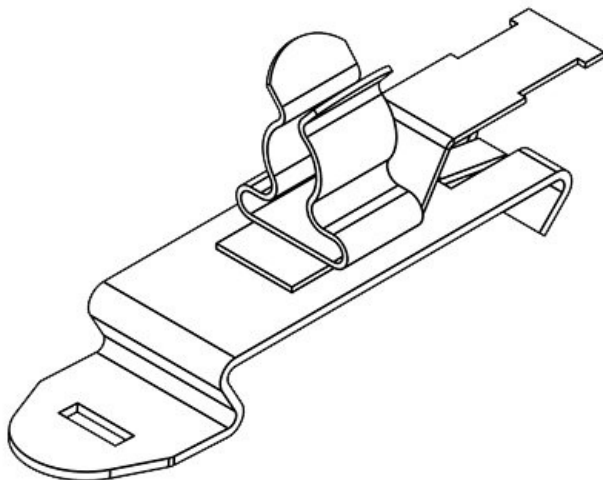
Part No.	36850	Min. shield diam.	1,5 mm
EAN	4251269304	Max. shield diam.	3 mm
Package quantity	10	Length	56,9 mm
No. of shield clamps	1	Strain relief function	Yes
Shield clamp type	SKL	Width	14 mm
For max. no. of cables	1	Height	20,3 mm
Shield diameter	1,5 - 3 mm		

SFZ|SKL 3-6



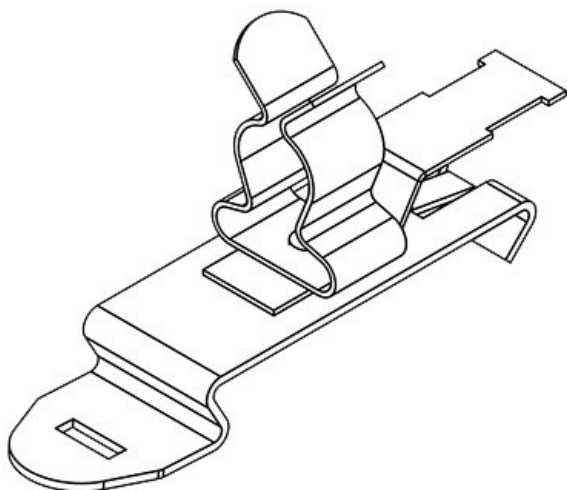
Part No.	36855	Min. shield diam.	3 mm
EAN	4251269304	Max. shield diam.	6 mm
Package quantity	10	Length	56,9 mm
No. of shield clamps	1	Strain relief function	Yes
Shield clamp type	SKL	Width	14 mm
For max. no. of cables	1	Height	21 mm
Shield diameter	3 - 6 mm		

SFZ|SKL 6-8



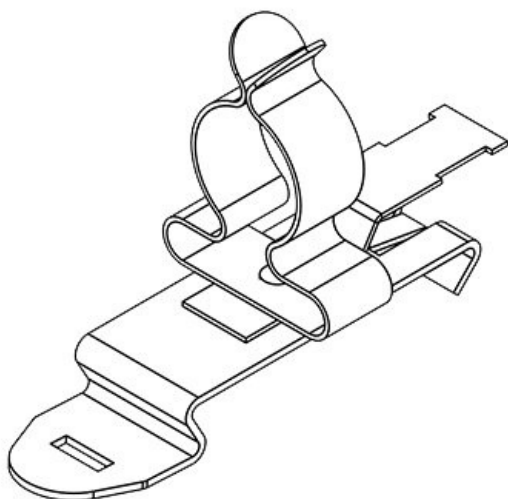
Part No.	36860	Min. shield diam.	6 mm
EAN	4251269304	Max. shield diam.	8 mm
Package quantity	10	Length	56,9 mm
No. of shield clamps	1	Strain relief function	Yes
Shield clamp type	SKL	Width	14 mm
For max. no. of cables	1	Height	22,4 mm
Shield diameter	6 - 8 mm		

SFZ|SKL 8-11



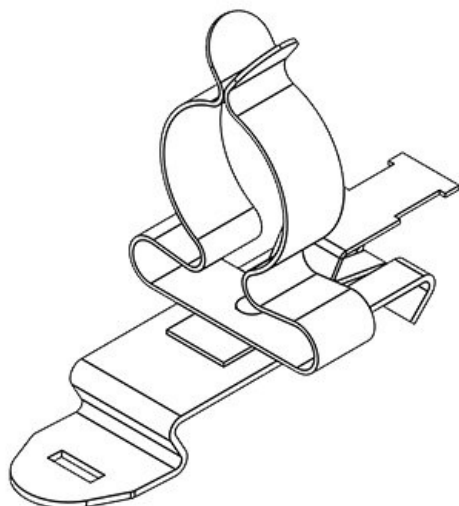
Part No.	36865	Min. shield diam.	8 mm
EAN	4251269304	Max. shield diam.	11 mm
Package quantity	10	Length	56,9 mm
No. of shield clamps	1	Strain relief function	Yes
Shield clamp type	SKL	Width	14 mm
For max. no. of cables	1	Height	27,4 mm
Shield diameter	8 - 11 mm		

SFZ|SKL 11-17



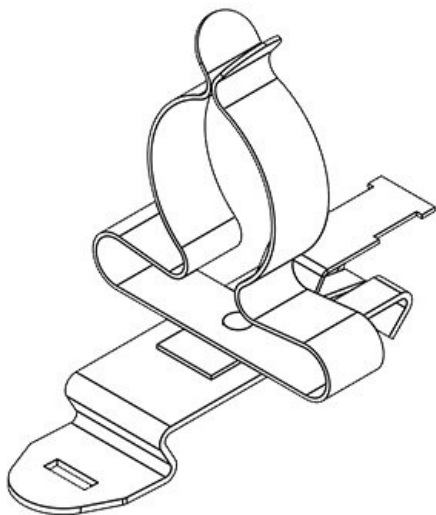
Part No.	36870	Min. shield diam.	11 mm
EAN	4251269304	Max. shield diam.	17 mm
Package quantity	10	Length	71,8 mm
No. of shield clamps	1	Strain relief function	Yes
Shield clamp type	SKL	Width	21 mm
For max. no. of cables	1	Height	34,4 mm
Shield diameter	11 - 17 mm		

SFZ|SKL 17-22



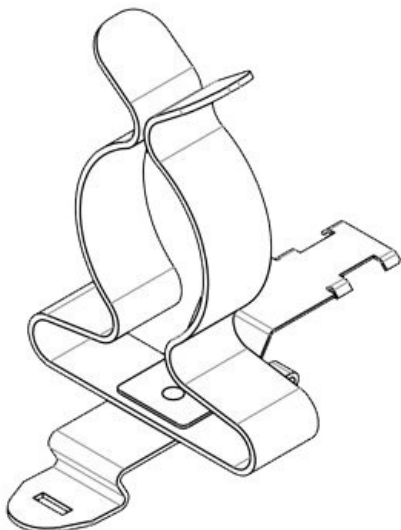
Part No.	36875	Min. shield diam.	17 mm
EAN	4251269304	Max. shield diam.	22 mm
Package quantity	10	Length	71,8 mm
No. of shield clamps	1	Strain relief function	Yes
Shield clamp type	SKL	Width	26,5 mm
For max. no. of cables	1	Height	41,9 mm
Shield diameter	17 - 22 mm		

SFZ|SKL 22-30



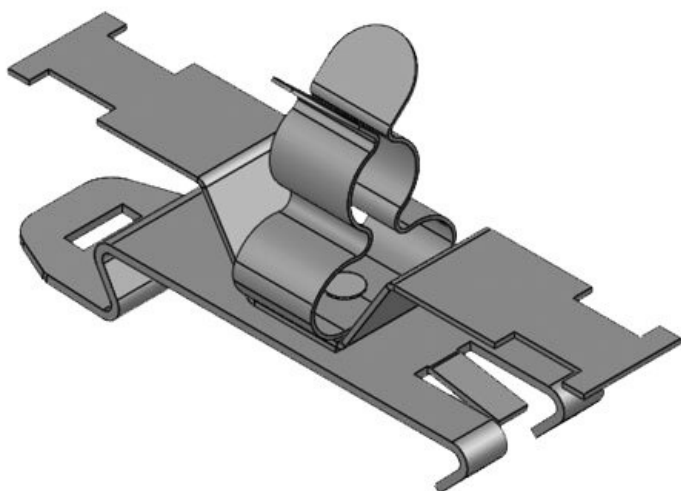
Part No.	36880	Min. shield diam.	22 mm
EAN	4251269304	Max. shield diam.	30 mm
Package quantity	10	Length	71,8 mm
No. of shield clamps	1	Strain relief function	Yes
Shield clamp type	SKL	Width	35 mm
For max. no. of cables	1	Height	46 mm
Shield diameter	22 - 30 mm		

SFZ|SKL 30-38



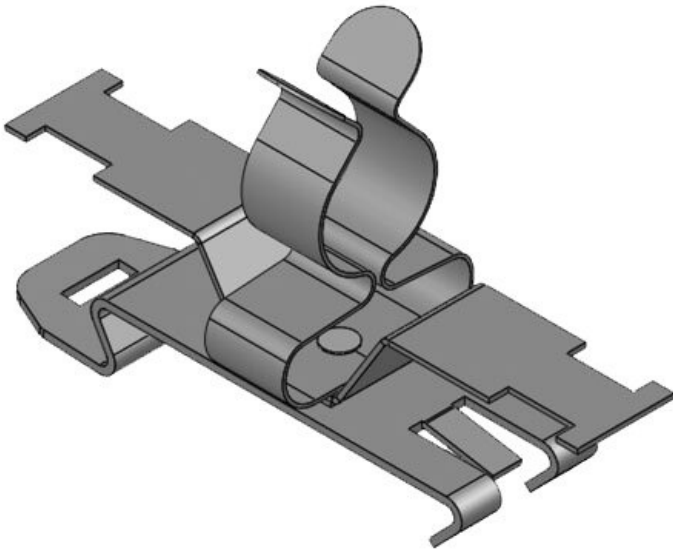
Part No.	36885	Min. shield diam.	30 mm
EAN	4251269319	Max. shield diam.	38 mm
Package quantity	10	Length	71,8 mm
No. of shield clamps	1	Strain relief function	Yes
Shield clamp type	SKL	Width	46,5 mm
For max. no. of cables	1	Height	68 mm
Shield diameter	30 - 38 mm		

SF2Z-M|MSKL 3-12



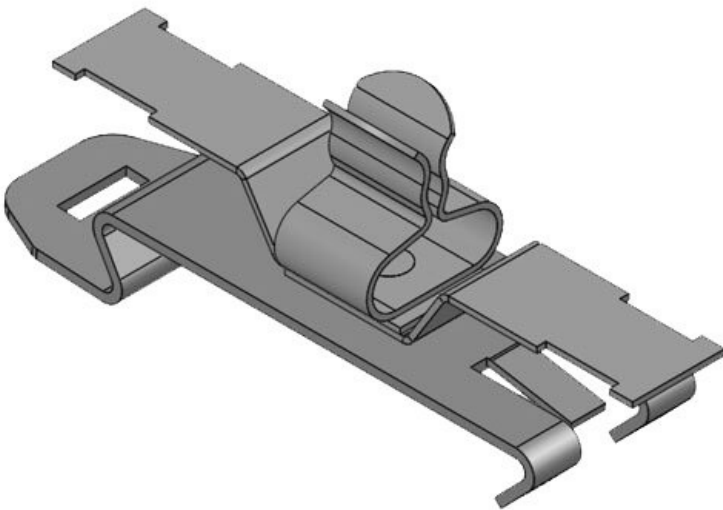
Part No.	37620.150	Min. shield diam.	3 mm
EAN	4251269321	Max. shield diam.	12 mm
Package quantity	10	Length	59 mm
No. of shield clamps	1	Strain relief function	Yes
Shield clamp type	MSKL	Width	14,9 mm
For max. no. of cables	1	Height	28,4 mm
Shield diameter	3 - 12 mm	Mounting height	21,5 mm

SF2Z-M|MSKL 8-18



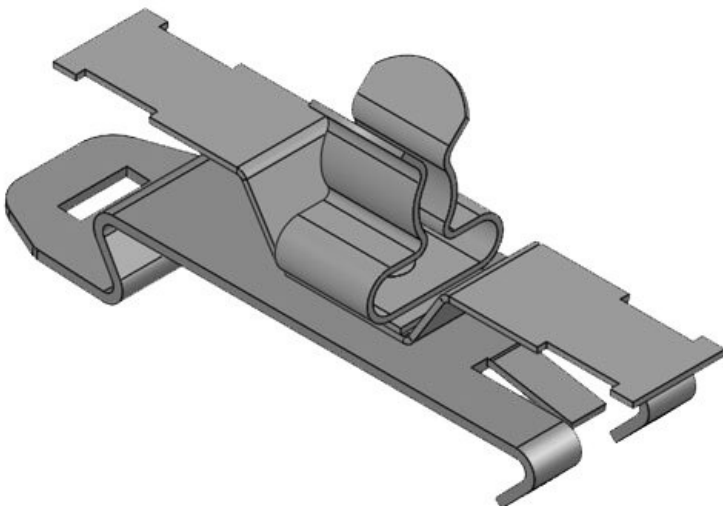
Part No.	37622.150	Min. shield diam.	8 mm
EAN	4251269321	Max. shield diam.	18 mm
Package quantity	10	Length	59 mm
No. of shield clamps	1	Strain relief function	Yes
Shield clamp type	MSKL	Width	19,7 mm
For max. no. of cables	1	Height	34,7 mm
Shield diameter	8 - 18 mm	Mounting height	27,7 mm

SF2Z|SKL 1.5-3



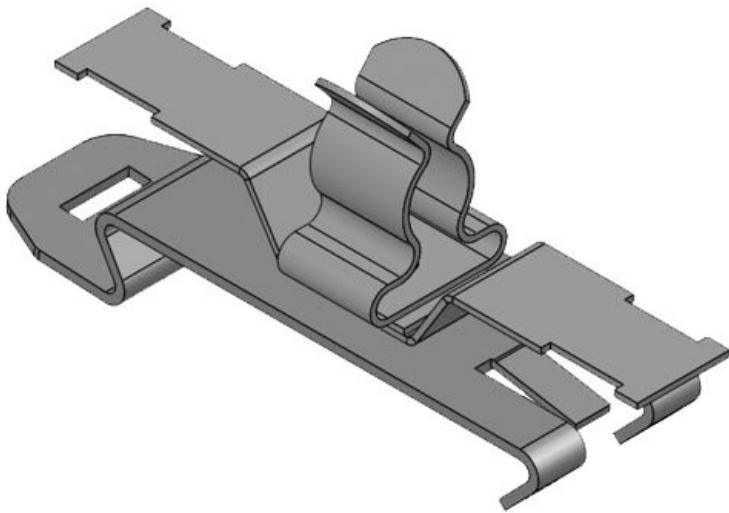
Part No.	36850.150	Min. shield diam.	1,5 mm
EAN	4251269321	Max. shield diam.	3 mm
Package quantity	10	Length	54,5 mm
No. of shield clamps	1	Strain relief function	Yes
Shield clamp type	SKL	Width	14 mm
For max. no. of cables	1	Height	20,8 mm
Shield diameter	1,5 - 3 mm	Mounting height	13,9 mm

SF2Z|SKL 3-6



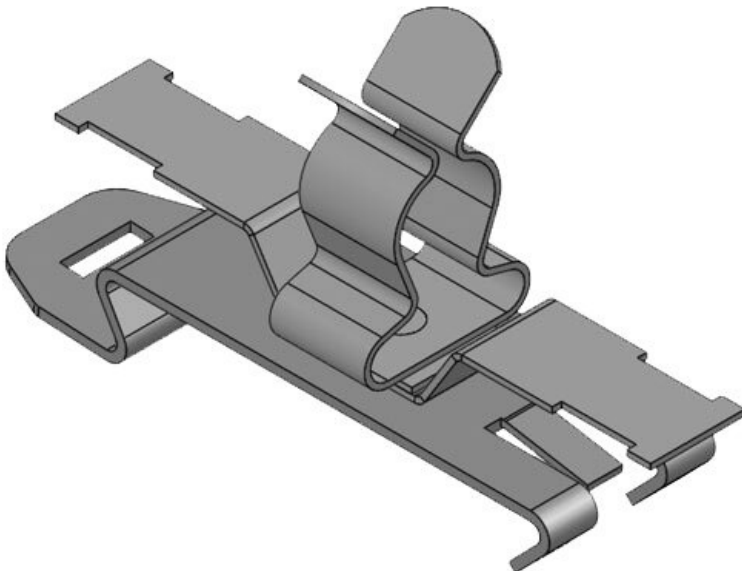
Part No.	36855.150	Min. shield diam.	3 mm
EAN	4251269321	Max. shield diam.	6 mm
Package quantity	10	Length	54,5 mm
No. of shield clamps	1	Strain relief function	Yes
Shield clamp type	SKL	Width	14 mm
For max. no. of cables	1	Height	21,4 mm
Shield diameter	3 - 6 mm	Mounting height	14,5 mm

SF2Z|SKL 6-8



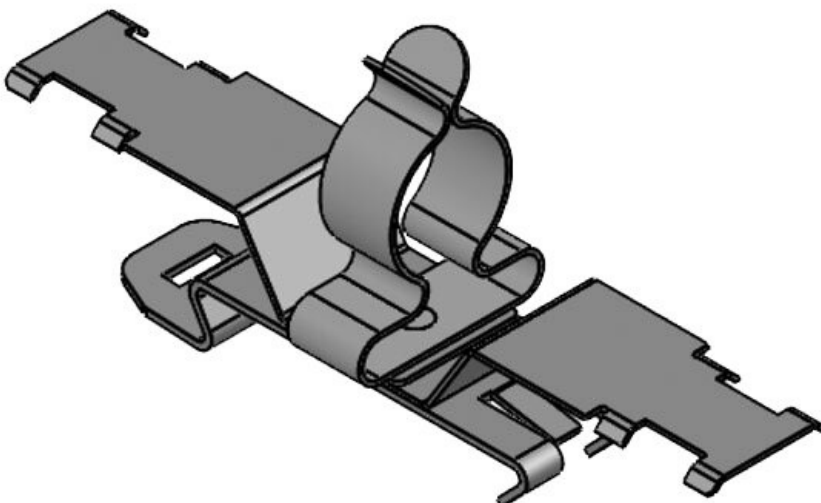
Part No.	36860.150	Min. shield diam.	6 mm
EAN	4251269321	Max. shield diam.	8 mm
Package quantity	10	Length	54,5 mm
No. of shield clamps	1	Strain relief function	Yes
Shield clamp type	SKL	Width	14 mm
For max. no. of cables	1	Height	22,9 mm
Shield diameter	6 - 8 mm	Mounting height	16 mm

SF2Z|SKL 8-11



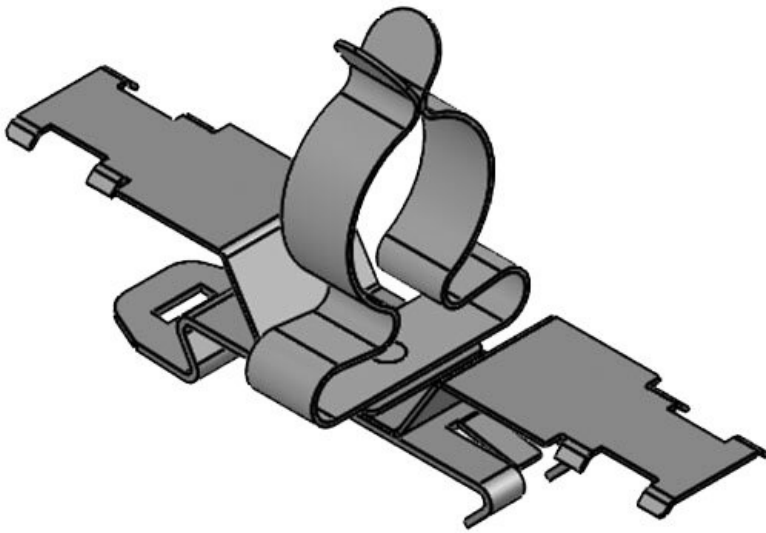
Part No.	36865.150	Min. shield diam.	8 mm
EAN	4251269321	Max. shield diam.	11 mm
Package quantity	10	Length	54,5 mm
No. of shield clamps	1	Strain relief function	Yes
Shield clamp type	SKL	Width	14 mm
For max. no. of cables	1	Height	27,9 mm
Shield diameter	8 - 11 mm	Mounting height	21 mm

SF2Z|SKL 11-17



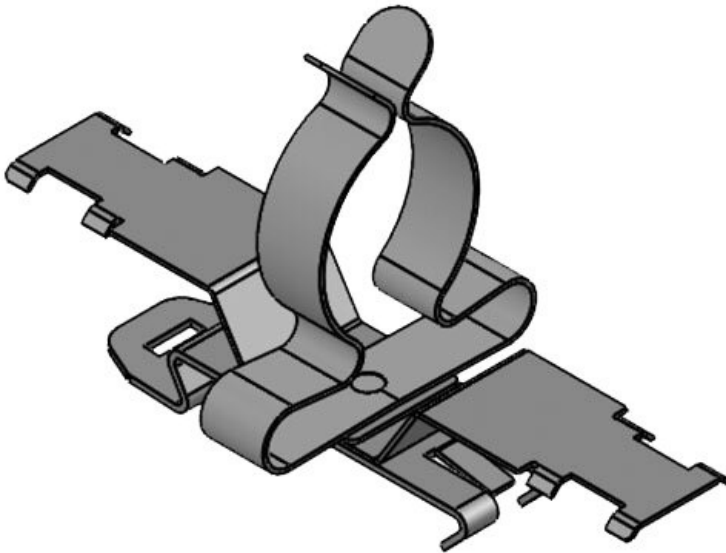
Part No.	36870.150	Min. shield diam.	11 mm
EAN	4251269321	Max. shield diam.	17 mm
Package quantity	10	Length	80 mm
No. of shield clamps	1	Strain relief function	Yes
Shield clamp type	SKL	Width	21 mm
For max. no. of cables	1	Height	34,9 mm
Shield diameter	11 - 17 mm	Mounting height	28 mm

SF2Z|SKL 17-22



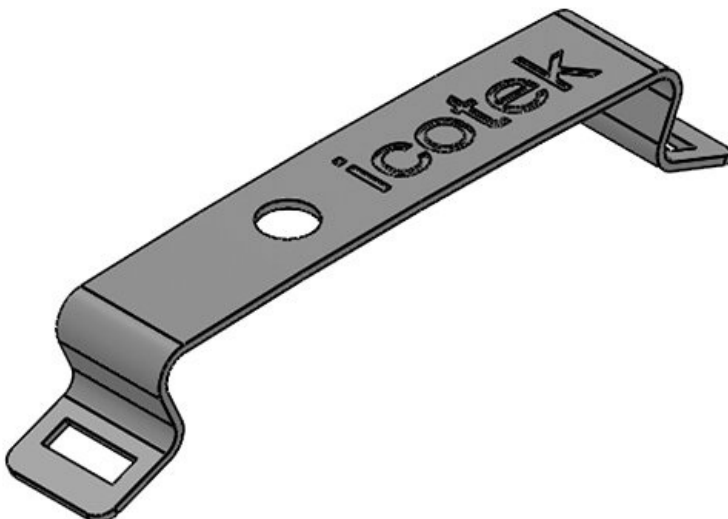
Part No.	36875.150	Min. shield diam.	17 mm
EAN	4251269321	Max. shield diam.	22 mm
Package quantity	10	Length	80 mm
No. of shield clamps	1	Strain relief function	Yes
Shield clamp type	SKL	Width	26,5 mm
For max. no. of cables	1	Height	42,4 mm
Shield diameter	17 - 22 mm	Mounting height	35,5 mm

SF2Z|SKL 22-30



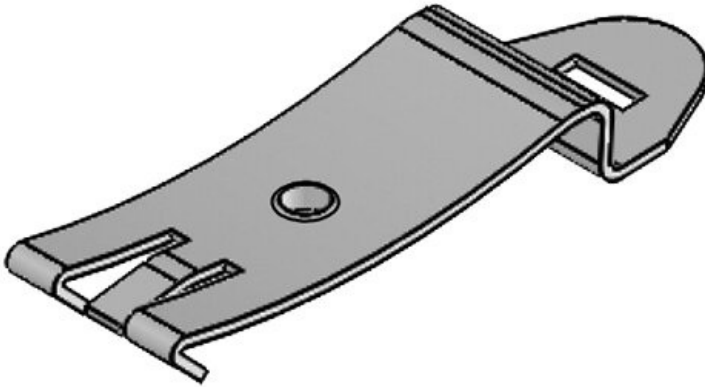
Part No.	36880.150	Min. shield diam.	22 mm
EAN	4251269321	Max. shield diam.	30 mm
Package quantity	10	Length	80 mm
No. of shield clamps	1	Strain relief function	Yes
Shield clamp type	SKL	Width	35 mm
For max. no. of cables	1	Height	47 mm
Shield diameter	22 - 30 mm	Mounting height	40,1 mm

SFS single M3



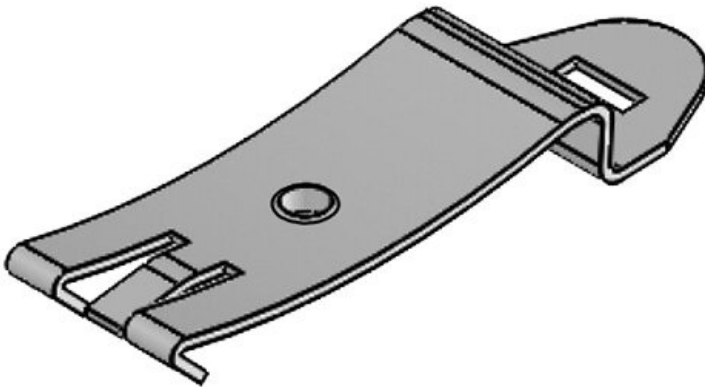
Part No.	36229	Diam. of screw holes	3,2 mm
EAN	4251269302		
Package quantity	10		
Length	43,4 mm		
Width	7 mm		
Height	8,5 mm		
No. of screw holes	1		

MF single M4



Part No.	36230	Diam. of screw	4,1 mm
EAN	4251269302	holes	
	244	Thread	M4
Package quantity	10		
Length	50,3 mm		
Width	14 mm		
Height	6,8 mm		
No. of screw holes	1		

MF single M5



Part No.	36221	Diam. of screw	5,1 mm
EAN	4251269319	holes	
	167	Thread	M5
Package quantity	10		
Length	50,3 mm		
Width	14 mm		
Height	6,8 mm		
No. of screw holes	1		